

DC Solid State Relay



SCHWARTZ-ELECTRONIC VERTRIEB GMBH

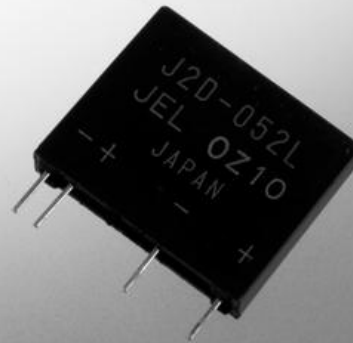


MEISENWEG 8

23611 BAD SCHWARTAU

FAX: +49 451 595010 TEL.: +49 451 54444
 www.s-ev.de info@s-ev.de

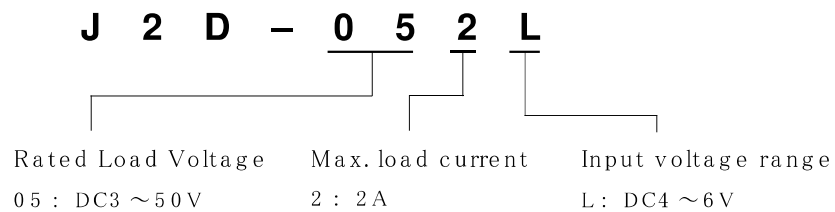
J2D SERIES



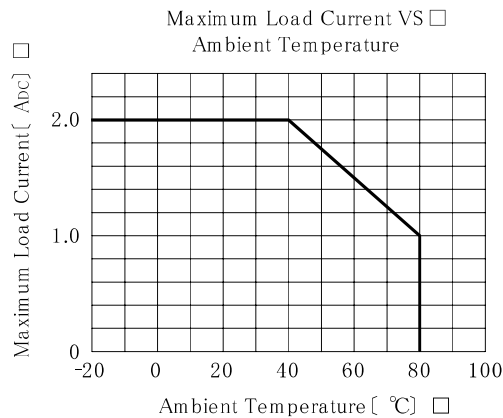
Features

- Small size, Slim appearance
- Available for PCB high-density packaging
- Max. load current at 2 A
- MOS FET output type
- Dielectric strength between input and output at 2,500 V/1 min.
- On-state voltage drop reduced to 1/3 (compared to DC type)
- Same design with J2 series
- Optional socket available

Type Information

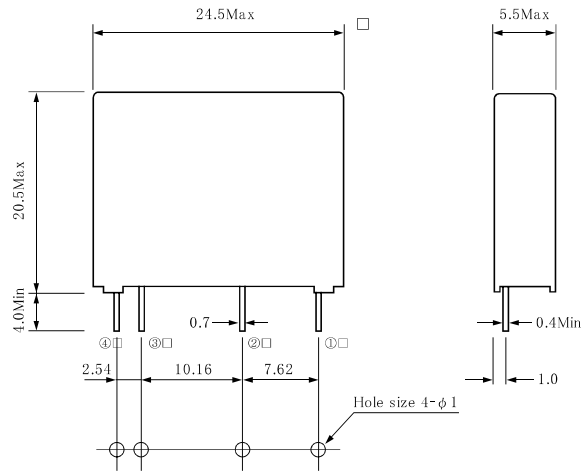


Characteristics



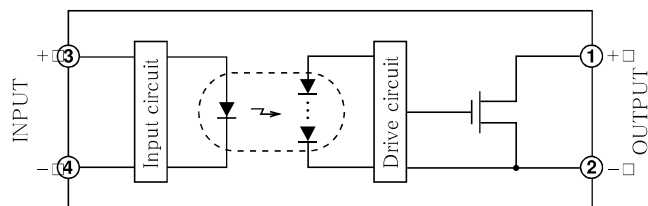
※ Description in the catalogue is subject to change without notice. Please read the specifications thoroughly before using.
 ※ Please contact JEL SYSTEM for further information.

Dimensions (mm)



Dimensions For PCB Design

Equivalent Circuit



※Description in the catalogue is subject to change without notice. Please read the specifications thoroughly before using.
 ※Please contact JEL SYSTEM for further information.

■ Ratings

(Ta = 25 °C)

	Item	Symbols	J2D-052L	Units	
Output	Maximum Load Voltage	V _{OMAX}	60	V _{DC}	
	Load Voltage Range	V _O	Pure DC	3 ~ 50	V _{DC}
			Bridge Rectification	35	V _{rms}
	Maximum Load Current	I _{OMAX}	2	A _{DC} /A _{rms}	
Surge Current Ratings	I _{SURGE}	8 (1 sec)	A		
Input	Maximum Input Voltage	V _{IMAX}	6	V _{DC}	
	Input Impedance	R _{IN}	220	Ω	
General	Dielectric Strength	V _{ISO}	2,500 /1 min.(Between input and output)	V _{ACrms}	
	Isolation Resistance	R _{ISO}	10 ⁸ and above DC500V(Between input and output)	Ω	
	Operating Temperature Range	T _{OPR}	-20 ~ +80	°C	
	Storage Temperature Range	T _{STG}	-30 ~ +100	°C	

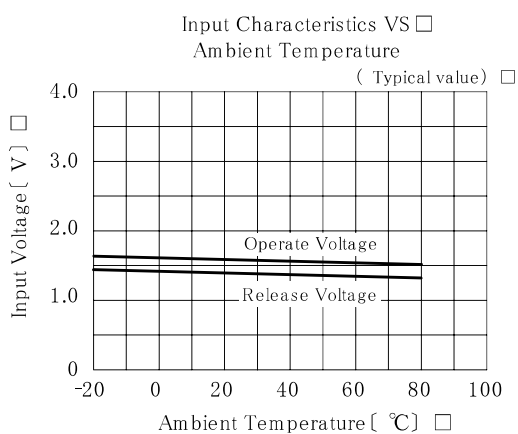
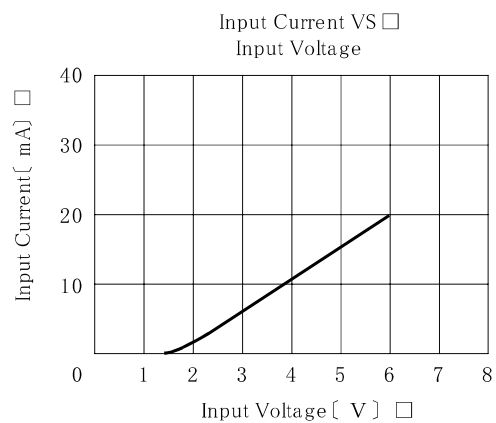
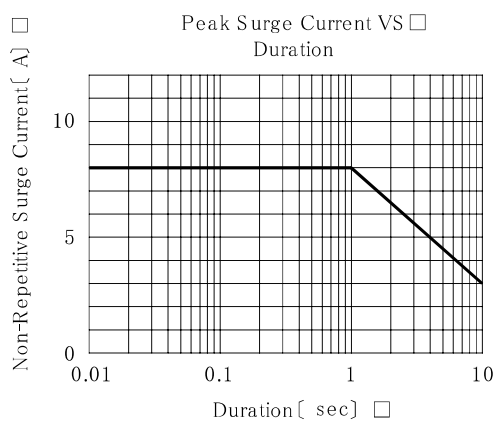
■ Electrical Characteristics

(Ta = 25 °C)

	Item	Symbols	J2D-052L	Units
Output	Off State Leakage Current	I _{LEK}	10 and below (V ₀ = 50 V _{DC})	μA _{DC}
	On State Voltage Drop	V _{SAT}	0.3 and below	V _{DC}
	Minimum Load Current	I _{OMIN}	0.1	mA
Input	Input Voltage Range	V _I	4 ~ 6	V _{DC}
	Operate Voltage	V _P	4.0 and below	V _{DC}
	Release Voltage	V _D	1.0 and above	V _{DC}
General	Operate Time	T _{ON}	10ms and below (Resistance load)	/
	Release Time	T _{OFF}	10ms and below (Resistance load)	/
	Capacitance	C _{IO}	15 and below	PF

※ Description in the catalogue is subject to change without notice. Please read the specifications thoroughly before using.

※ Please contact JEL SYSTEM for further information.



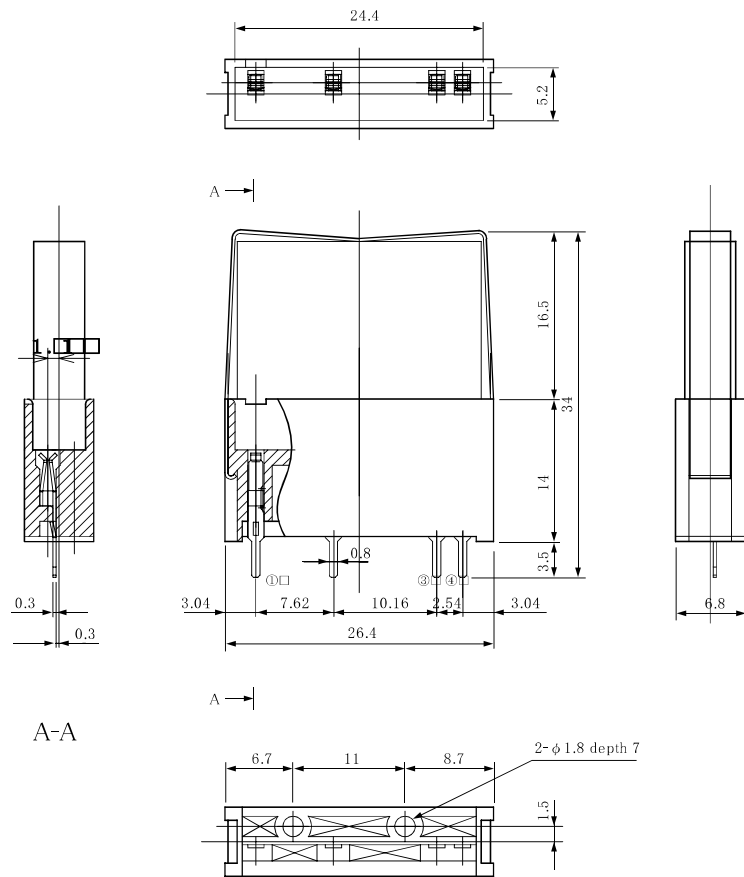
※Description in the catalogue is subject to change without notice. Please read the specifications thoroughly before using.
 ※Please contact JEL SYSTEM for further information.

Option

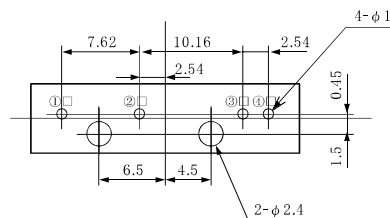
Socket

Model	PS-J201
SUITABLE SSR	J2 Series

● Dimensions



Dimensions for PCB design



※Description in the catalogue is subject to change without notice. Please read the specifications thoroughly before using.
 ※Please contact JEL SYSTEM for further information.